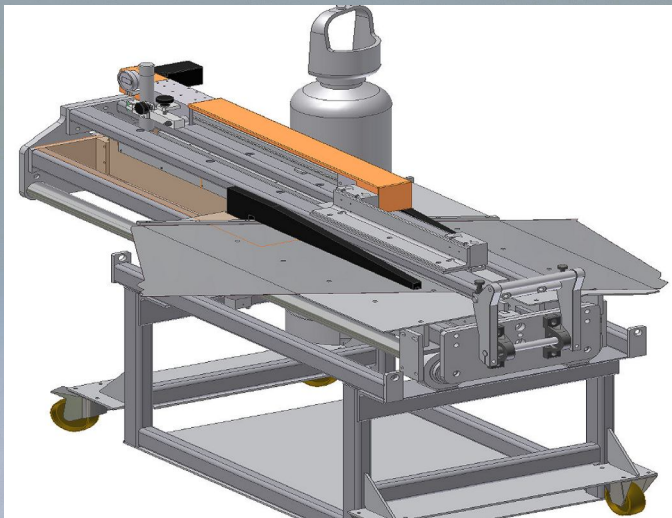


ComTIG Splicing unit

The ComTIG is new design based on the proven technology of tig welding equipment. It is suitable for Al-, Cu- and steel tapes. Ends of tapes are cut and tig welded in order to form reliable and accurate splice with metallic and electrical continuity.

The ComTIG splicing unit contains a robust moveable frame unit equipped with a tape cutter, aligning, and tig welding components. The welding head is driven by motor control. The ComTIG is genuinely compact unit with integrated power unit being therefore easy to move between the operation areas.



Specifications:

- Welding angle: 30 degrees
- Tape width, max.: 500 mm

Compomec provides innovative and reliable solutions to the optical fiber and cable industries including from single wire equipment to the high voltage cable machines. During the past 10 years Compomec has developed and delivered thousands of equipment and solutions worldwide thanks to the co-operation with customers.

Compomec - "winding the future"

Compomec
CABLE MACHINERY

CONTACT

Sukkulakatu 3
FIN-55120 IMATRA
FINLAND

Int.telephone +358 5 4761 888
Int.telefax +358 5 4761 877
www.compomec.fi
info@compomec.fi